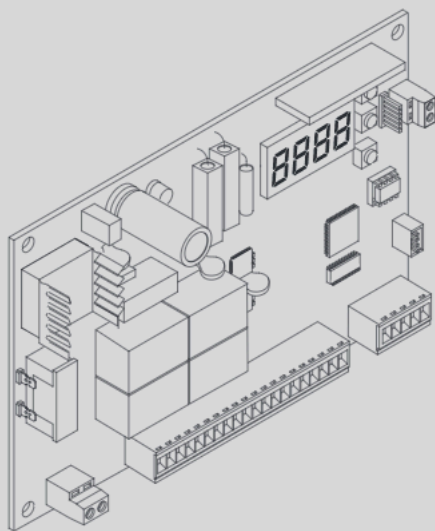
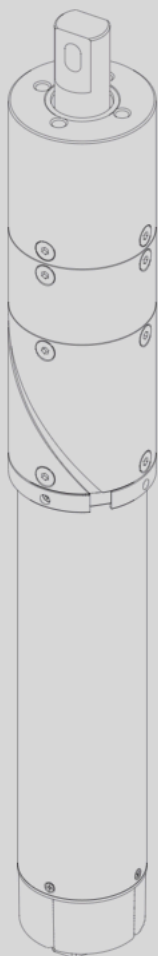




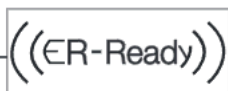
D811703 00100\_04 02-12-11

QUADRO COMANDO  
CONTROL PANEL  
CENTRALE DE COMMANDE  
SELBSTÜBERWACHENDE STEUERUNG  
CUADRO DE MANDOS  
BEDIENINGSPANEEL



# HIDE SW CB-HIDE

ISTRUZIONI DI INSTALLAZIONE  
INSTALLATION MANUAL  
INSTRUCTIONS D'INSTALLATION  
MONTAGEANLEITUNG  
INSTRUCCIONES DE INSTALACION  
INSTALLATIEVOORSCHRIFTEN

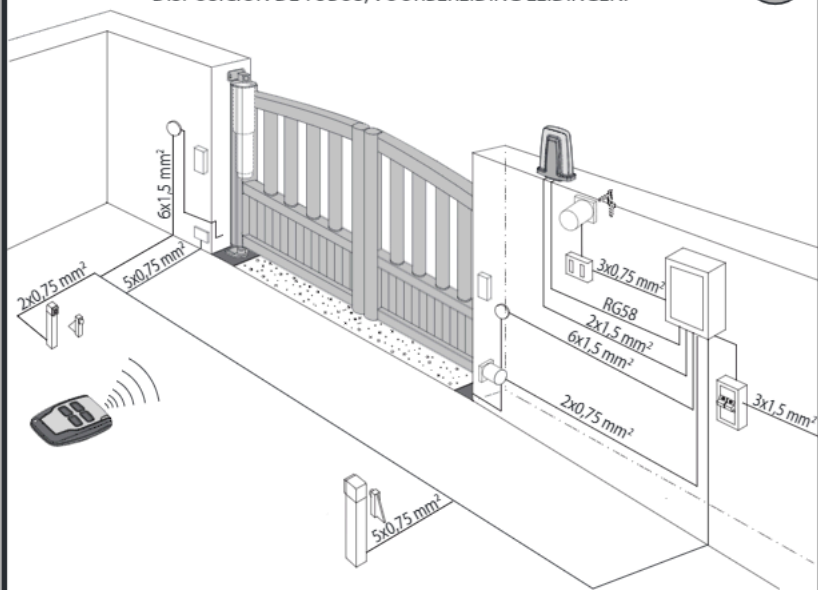


AZIENDA CON SISTEMA DI GESTIONE  
INTEGRATO CERTIFICATO DA DNV  
= UNI EN ISO 9001:2008 =  
UNI EN ISO 14001:2004

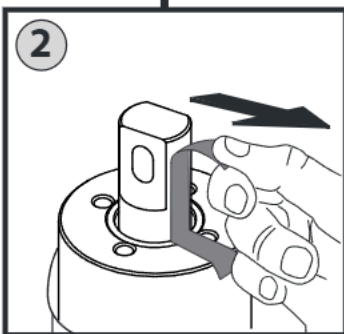
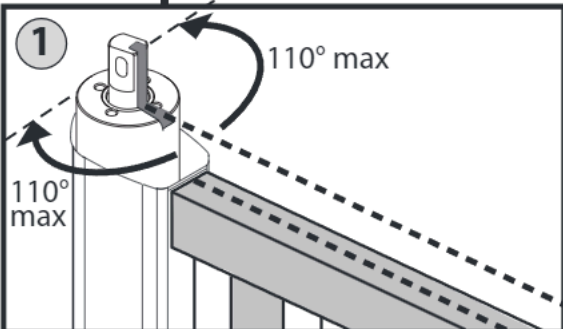
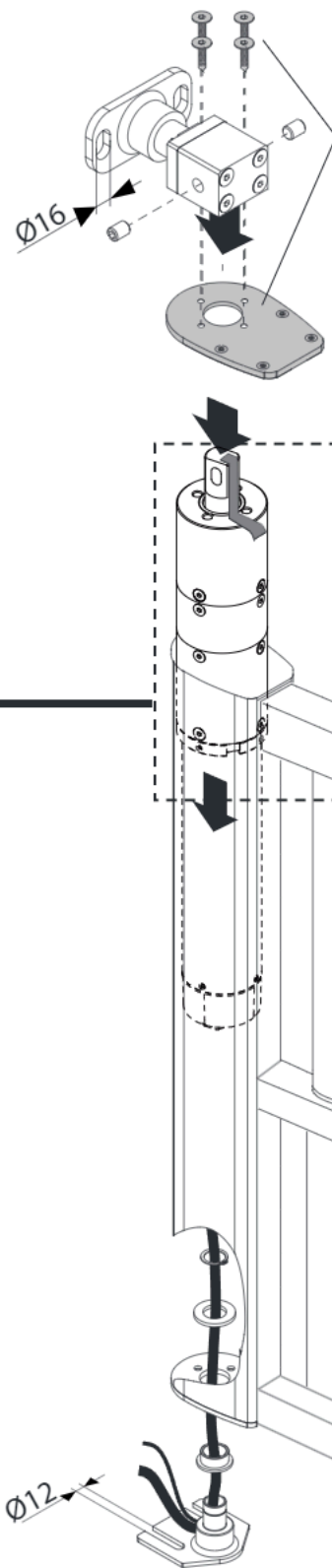
# INSTALLAZIONE VELOCE-QUICK INSTALLATION-INSTALLATION RAPIDE SCHNELLINSTALLATION-INSTALACIÓN RÁPIDA - SNELLE INSTALLATIE

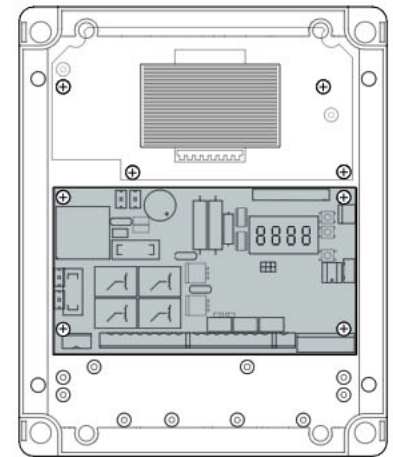
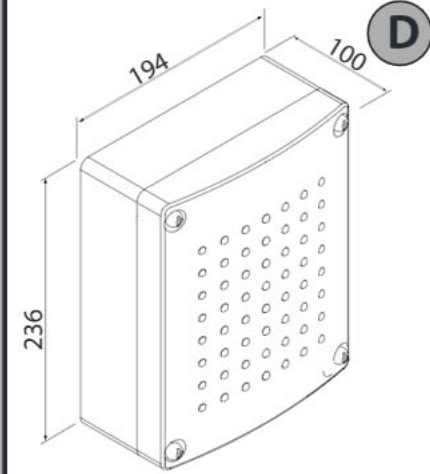
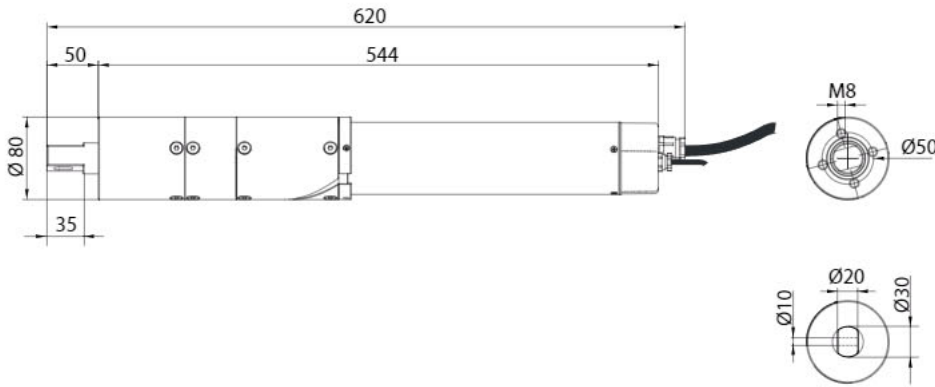
PREDISPOSIZIONE TUBI, TUBE ARRANGEMENT,  
PRÉDISPOSITION DES TUYAUX, VORBEREITUNG DER LEITUNGEN,  
DISPOSICIÓN DE TUBOS, VOORBEREIDING LEIDINGEN.

**A**

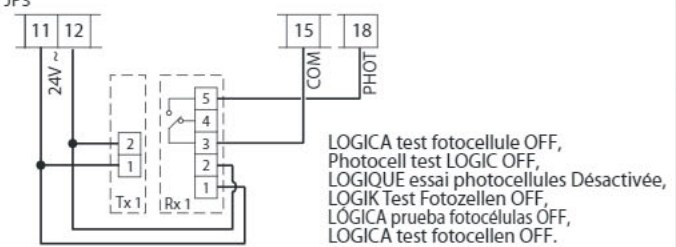


**B**

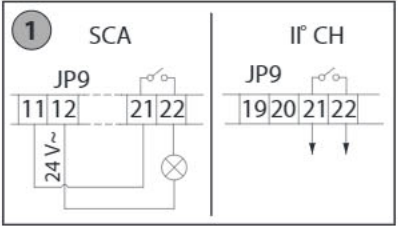
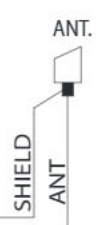




**F** Collegamento di 1 coppia di fotocelle non verificate // Connection of 1 pair of non-tested photocells // Connexion 1 paire photocellules non vérifiées // Anschluss von einem Paar nicht überprüften Fotozellen // Conexión de 1 par fotocélulas no comprobadas // A ansluiting van 1 paar fotocellen anders dan "trusted device".

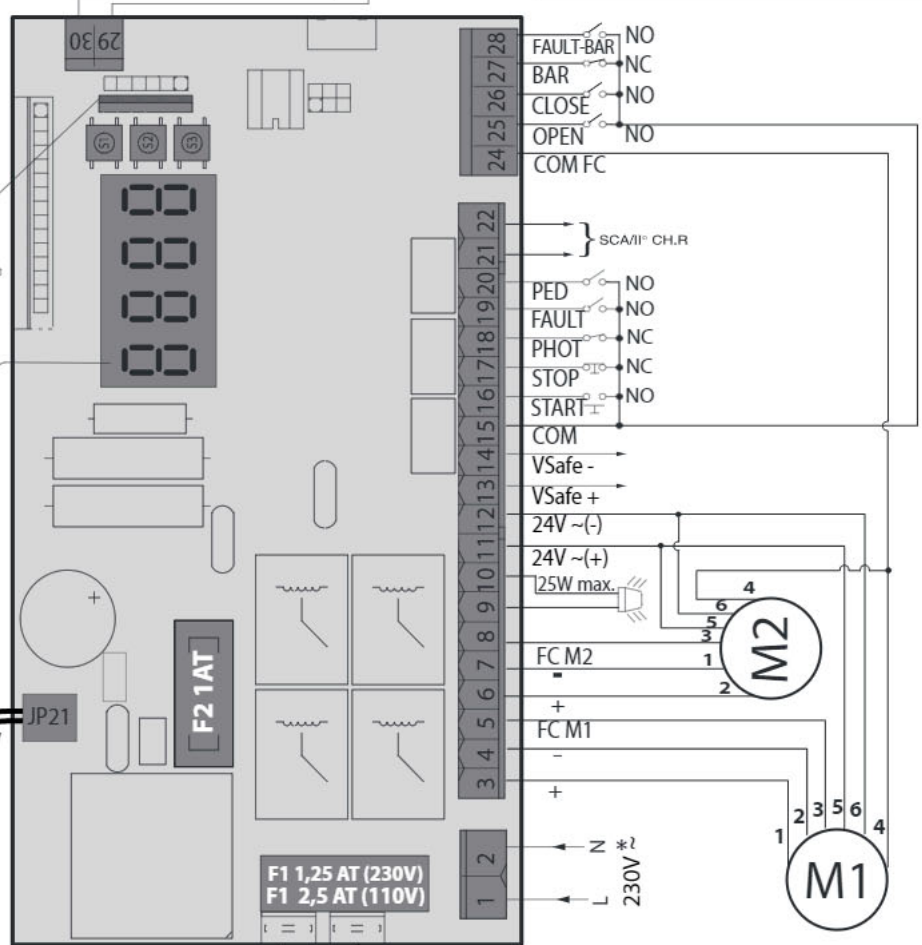
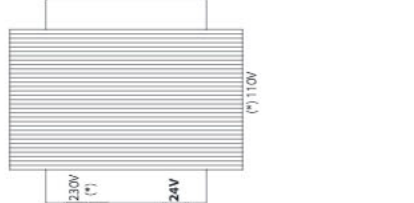


**E**



Connettore programmatore palmare, Palmtop programmer connector, Connecteur programmeur de poche, Steckverbinder Palmtop-Programmierer, Conector del programador de bolsillo, Connector programmeerbare palmtop.

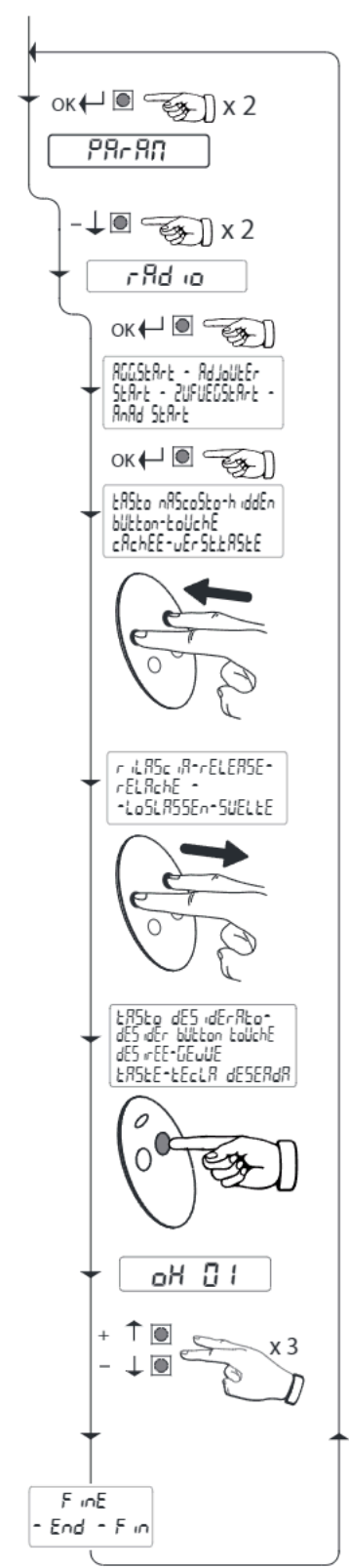
Display + tasti programmazione, Display plus programming keys, Afficheur et touches de programmation, Display und Programmierungstasten, Pantalla mas botones de programacion, Display meerdere toetsen programmeur.



\* Altre tensioni disponibili a richiesta  
Other voltages available on request  
Autres tensions disponibles sur demande  
Weitere Spannungen auf Anfrage erhältlich  
Otras tensiones disponibles a petición  
Andere spanningen op aanvraag beschikbaar

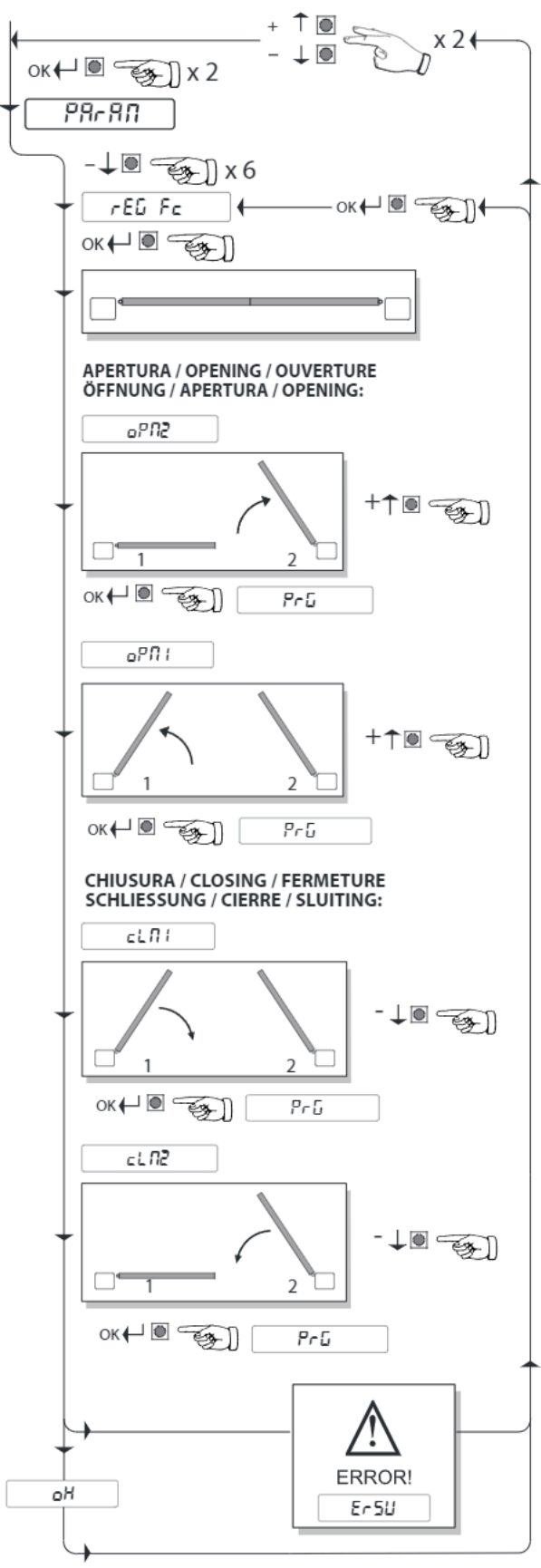
**G**

MEMORIZZAZIONE RADIOCOMANDO  
MEMORIZING REMOTE CONTROLS  
MÉMOIRISATION RADIOCOMMANDE  
ABSPEICHERUNG DER FERNBEDIENUNG  
MEMORIZACION DEL RADIOMANDO  
MEMORISEREN AFSTANDSBEDIENINGD



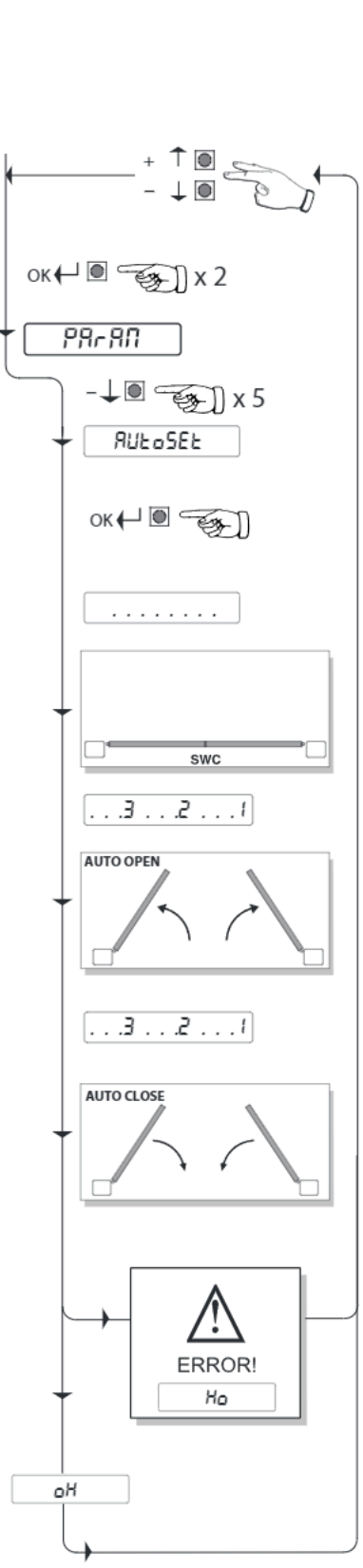
**H**

REGOLAZIONE FINECORSA,  
ADJUSTING THE LIMIT SWITCHES,  
REGLAGE DE LA FIN DE COURSE,  
EINSTELLUNG DER ENDSCHALTER,  
REGULACION DE LOS FINALES DE CARRERA,  
REGLING EINDAANSLAGEN.



**I**

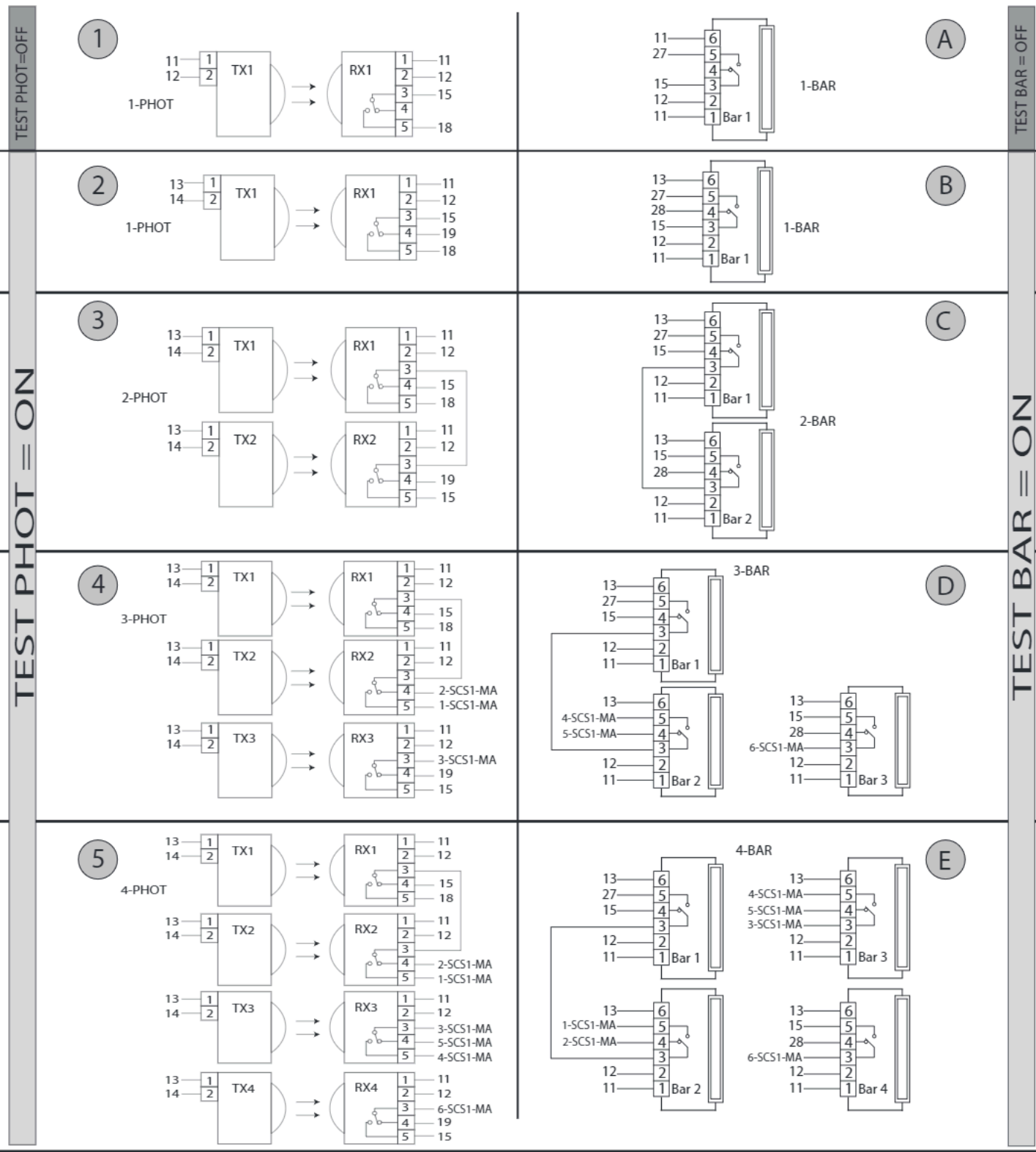
REGOLAZIONE AUTOSSET,  
ADJUSTING AUTOSSET,  
REGLAGE AUTOSSET,  
EINSTELLUNG AUTOSSET,  
REGULACION AUTOSSET,  
REGLING AUTOSSET.



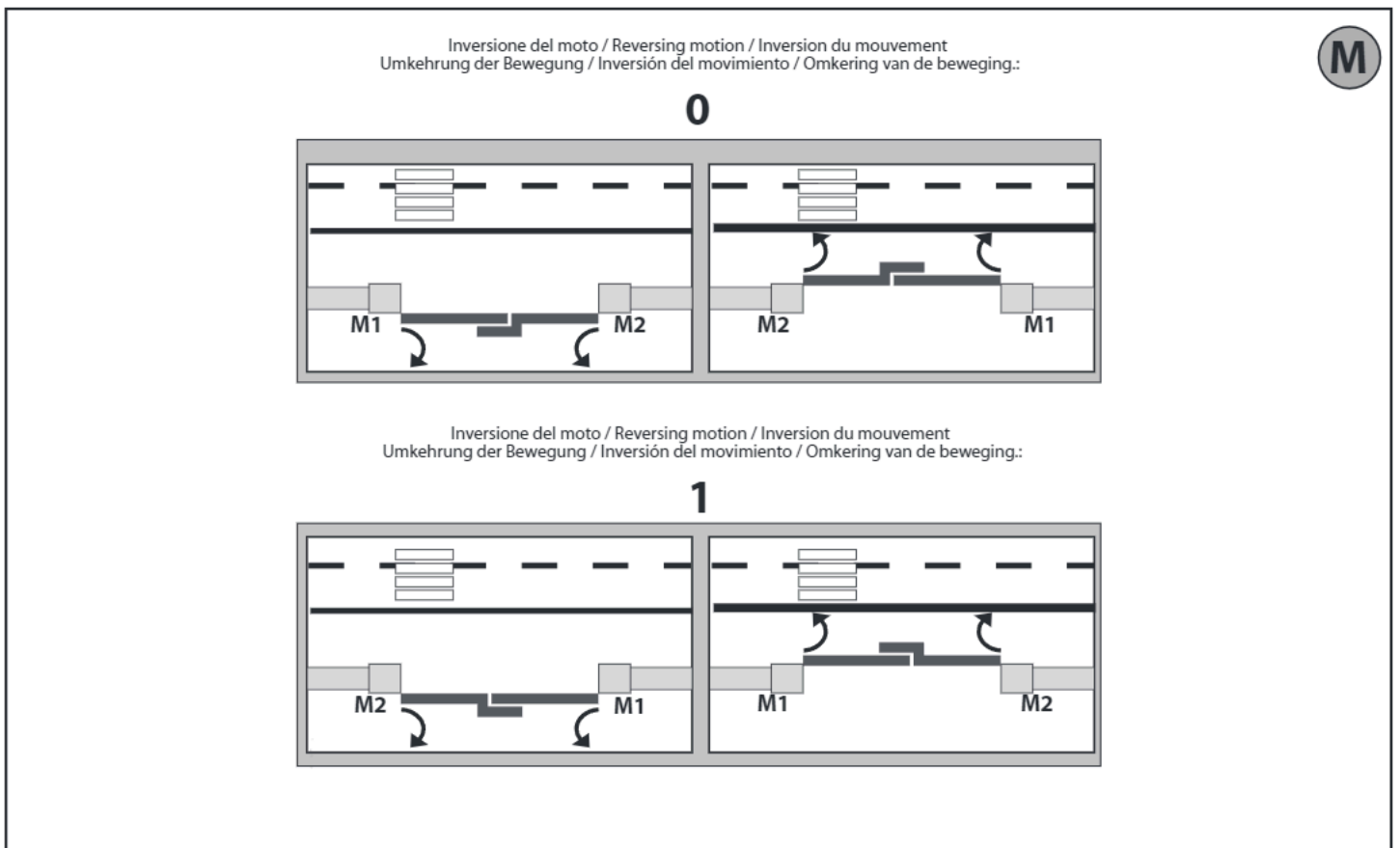
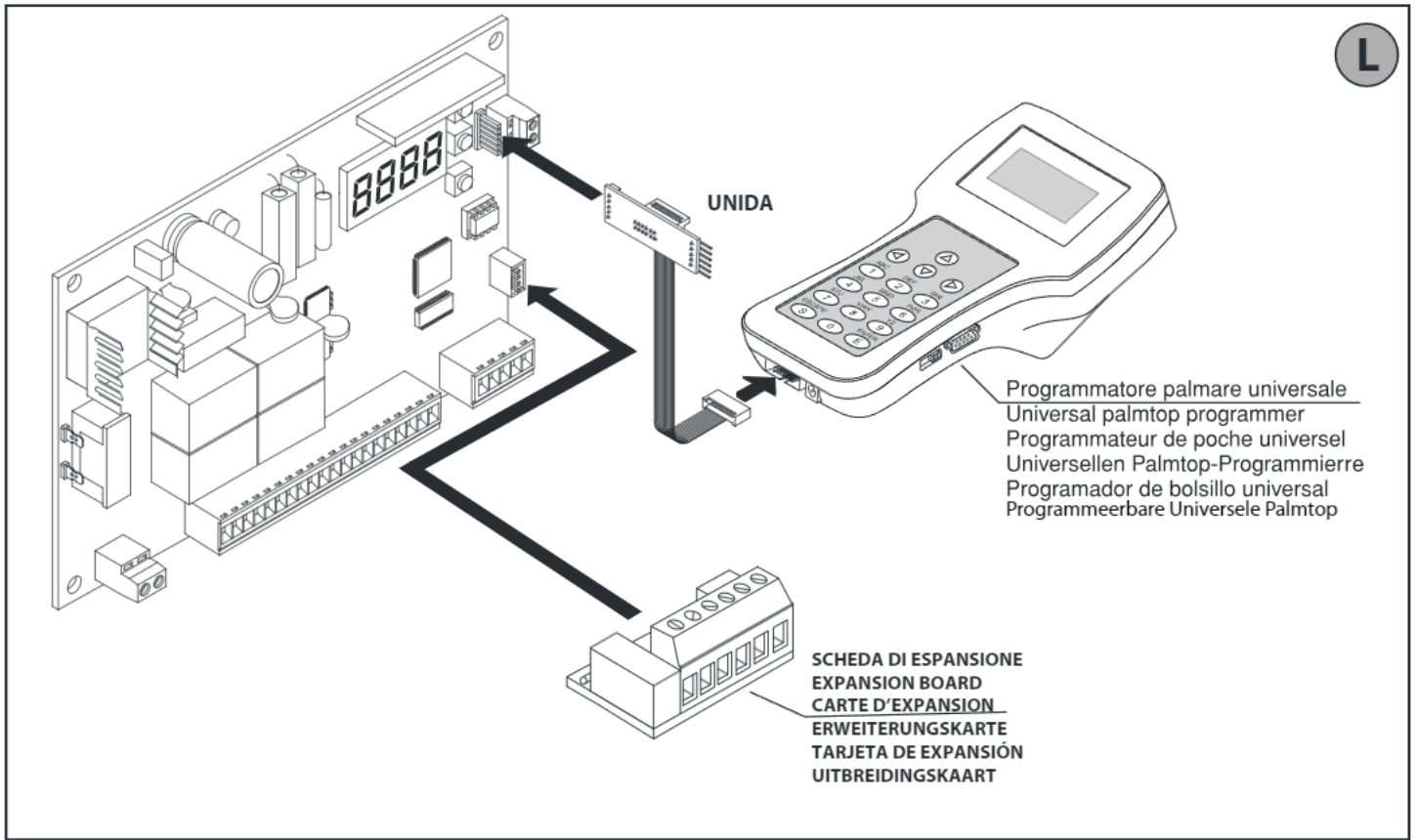
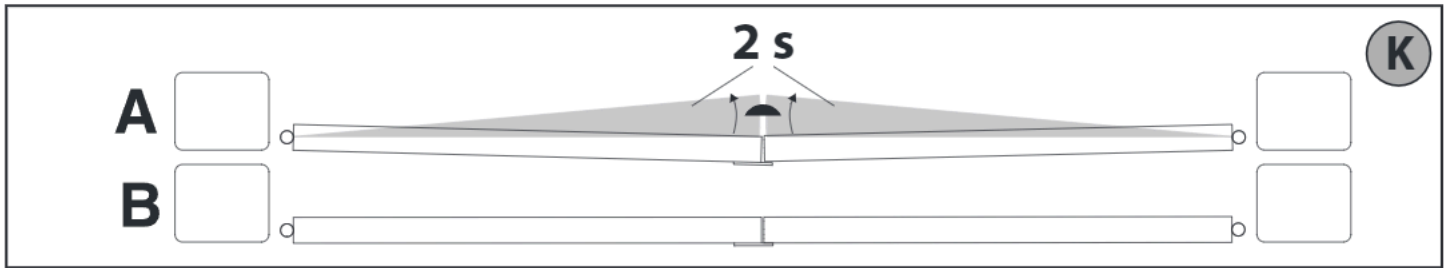
FOTOCPELLULE FOTZELLEN	PHOTOCELLS FOTOCÉLULAS	PHOTOCELLULES FOTOCELLEN	COSTE LEISTEN	SAFETY EDGES CANTOS	LINTEAUX RANDEN
---------------------------	---------------------------	-----------------------------	------------------	------------------------	--------------------

J

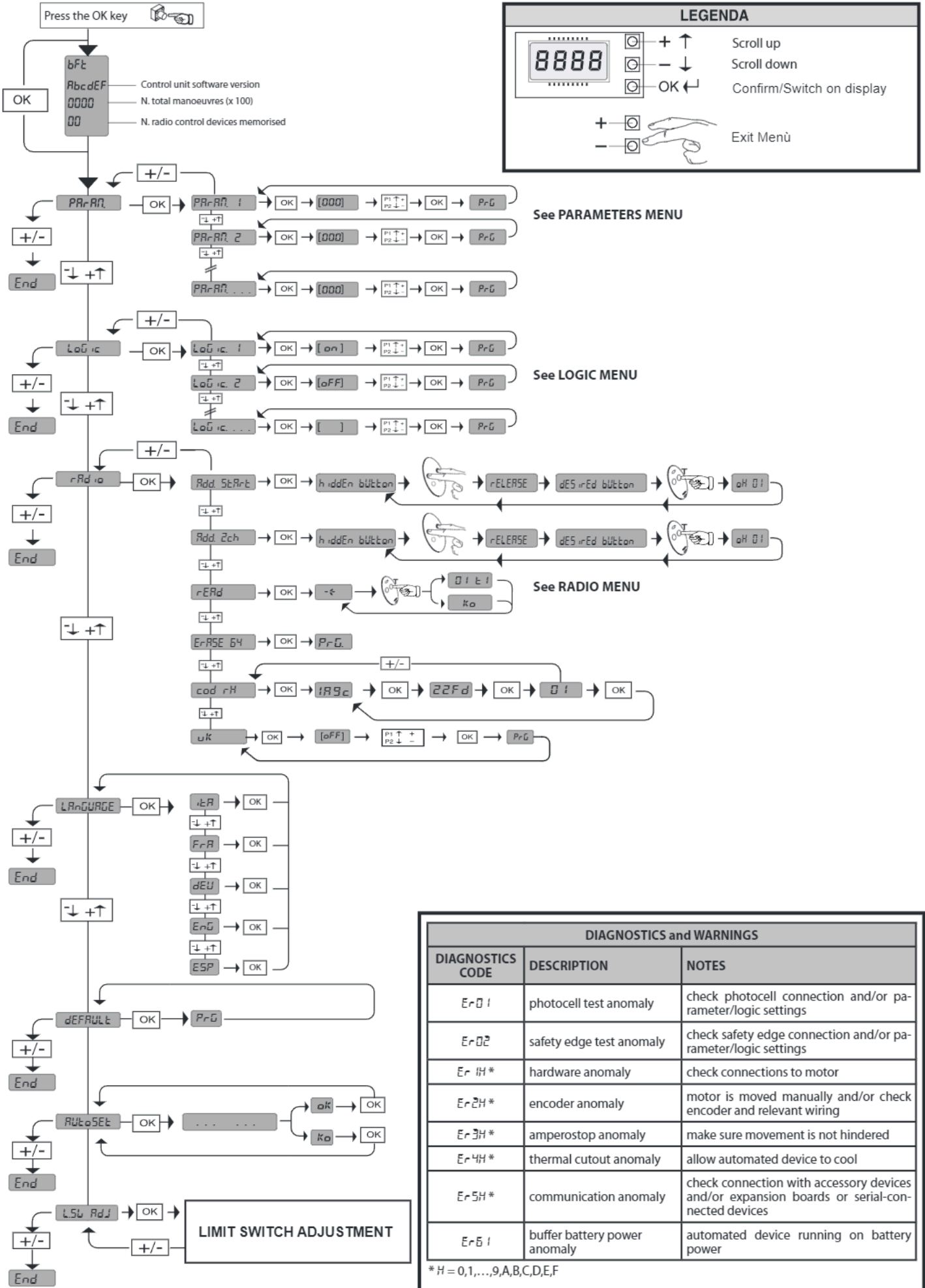
Morsettiera,  
Terminal board,  
Bornier,  
Kemmleiste  
Tablero de bornes,  
Aansluitkast,



Numero massimo di dispositivi verificati: 6 (ma non più di 4 per tipo),  
 Maximum number of tested devices: 6 (but no more than 4 per type),  
 Nombre maximum dispositif vérifiés: 6 (mais pas plus de 4 par type),  
 Max. Anzahl der überprüften Geräte: 6 (jedoch nicht mehr als 4 je Typ),  
 Número máximo dispositivos comprobados: 6 (pero no más de 4 por tipo),  
 Maximumaantal "trusted devices": 6 (maar niet meer dan 4 per type).



# ACCESS TO MENU Fig. 1



## INSTALLER WARNINGS

**WARNING! Important safety instructions. Carefully read and comply with all the warnings and instructions that come with the product as incorrect installation can cause injury to people and animals and damage to property. The warnings and instructions give important information regarding safety, installation, use and maintenance. Keep hold of instructions so that you can attach them to the technical file and keep them handy for future reference.**

### GENERAL SAFETY

This product has been designed and built solely for the purpose indicated herein. Uses other than those indicated herein might cause damage to the product and create a hazard.

- The units making up the machine and its installation must meet the requirements of the following European Directives, where applicable: 2004/108/EC, 2006/95/EC, 2006/42/EC, 89/106/EC, 99/05/EC and later amendments. For all countries outside the EEC, it is advisable to comply with the standards mentioned, in addition to any national standards in force, to achieve a good level of safety.
- The Manufacturer of this product (hereinafter referred to as the "Firm") disclaims all responsibility resulting from improper use or any use other than that for which the product has been designed, as indicated herein, as well as for failure to apply Good Practice in the construction of entry systems (doors, gates, etc.) and for deformation that could occur during use.
- Installation must be carried out by qualified personnel (professional installer, according to EN 12635), in compliance with Good Practice and current code.
- Before commencing installation, check the product for damage.
- Before installing the product, make all structural changes required to produce safety gaps and to provide protection from or isolate all crushing, shearing and dragging hazard areas and danger zones in general. Check that the existing structure meets the necessary strength and stability requirements.
- The Firm is not responsible for failure to apply Good Practice in the construction and maintenance of the doors, gates, etc. to be motorized, or for deformation that might occur during use.
- Make sure the stated temperature range is compatible with the site in which the automated system is due to be installed.
- Do not install this product in an explosive atmosphere: the presence of flammable fumes or gas constitutes a serious safety hazard.
- Disconnect the electricity supply before performing any work on the system. Also disconnect buffer batteries, if any are connected.
- Before connecting the power supply, make sure the product's ratings match the mains ratings and that a suitable residual current circuit breaker and overcurrent protection device have been installed upline from the electrical system. Have the automated system's mains power supply fitted with a switch or omnipolar thermal-magnetic circuit breaker with a contact separation that meets code requirements.
- Make sure that upline from the mains power supply there is a residual current circuit breaker that trips at no more than 0.03A as well as any other equipment required by code.
- Make sure the earth system has been installed correctly: earth all the metal parts belonging to the entry system (doors, gates, etc.) and all parts of the system featuring an earth terminal.
- Installation must be carried out using safety devices and controls that meet standards EN 12978 and EN 12453.
- Impact forces can be reduced by using deformable edges.
- In the event impact forces exceed the values laid down by the relevant standards, apply electro-sensitive or pressure-sensitive devices.
- Apply all safety devices (photocells, safety edges, etc.) required to keep the area free of impact, crushing, dragging and shearing hazards. Bear in mind the standards and directives in force, Good Practice criteria, intended use, the installation environment, the operating logic of the system and forces generated by the automated system.
- Apply all signs required by current code to identify hazardous areas (residual risks). All installations must be visibly identified in compliance with the provisions of standard EN 13241-1.
- This product cannot be installed on leaves incorporating doors (unless the motor can be activated only when the door is closed).
- If the automated system is installed at a height of less than 2.5 m or is accessible, the electrical and mechanical parts must be suitably protected.
- Install any fixed controls in a position where they will not cause a hazard, away from moving parts. More specifically, hold-to-run controls must be positioned within direct sight of the part being controlled and, unless they are key operated, must be installed at a height of at least 1.5 m and in a place where they cannot be reached by the public.
- Apply at least one warning light (flashing light) in a visible position, and also attach a Warning sign to the structure.
- Attach a label near the operating device, in a permanent fashion, with information on how to operate the automated system's manual release.
- Make sure that, during operation, mechanical risks are avoided or relevant protective measures taken and, more specifically, that nothing can be banged, crushed, caught or cut between the part being operated and surrounding parts.
- Once installation is complete, make sure the motor automation settings are correct and that the safety and release systems are working properly.
- Only use original spare parts for any maintenance or repair work. The Firm disclaims all responsibility for the correct operation and safety of the automated system if parts from other manufacturers are used.
- Do not make any modifications to the automated system's components unless explicitly authorized by the Firm.
- Instruct the system's user on what residual risks may be encountered, on the control systems that have been applied and on how to open the system manually in an emergency. Give the user guide to the end user.
- Dispose of packaging materials (plastic, cardboard, polystyrene, etc.) in accordance with the provisions of the laws in force. Keep nylon bags and polystyrene out of reach of children.

### WIRING

**WARNING!** For connection to the mains power supply, use: a multicore cable with a cross-sectional area of at least 5x1.5mm<sup>2</sup> or 4x1.5mm<sup>2</sup> when dealing with three-phase power supplies or 3x1.5mm<sup>2</sup> for single-phase supplies (by way of example, type H05 VV-F cable can be used with a cross-sectional area of 4x1.5mm<sup>2</sup>). To connect auxiliary equipment, use wires with a cross-sectional area of at least 0.5 mm<sup>2</sup>.

- Only use pushbuttons with a capacity of 10A-250V or more.
- Wires must be secured with additional fastening near the terminals (for example, using cable clamps) in order to keep live parts well separated from safety extra low voltage parts.
- During installation, the power cable must be stripped to allow the earth wire to be connected to the relevant terminal, while leaving the live wires as short as possible. The earth wire must be the last to be pulled taut in the event the cable's fastening device comes loose.

**WARNING!** safety extra low voltage wires must be kept physically separate from low voltage wires.

Only qualified personnel (professional installer) should be allowed to access live parts.

### CHECKING THE AUTOMATED SYSTEM AND MAINTENANCE

Before the automated system is finally put into operation, and during maintenance work, perform the following checks meticulously:

- Make sure all components are fastened securely.
- Check starting and stopping operations in the case of manual control.
- Check the logic for normal or personalized operation.
- For sliding gates only: check that the rack and pinion mesh correctly with 2 mm of play; keep the track the gate slides on clean and free of debris at all times.
- Check that all safety devices (photocells, safety edges, etc.) are working properly and that the anti-crush safety device is set correctly, making sure that the force of impact measured at the points provided for by standard EN 12445 is lower than the value laid down by standard EN 12453.
- Make sure that the emergency operation works, where this feature is provided.
- Check opening and closing operations with the control devices applied.
- Check that electrical connections and cabling are intact, making extra sure that insulating sheaths and cable glands are undamaged.
- While performing maintenance, clean the photocells' optics.
- When the automated system is out of service for any length of time, activate the emergency release (see "EMERGENCY OPERATION" section) so that the operated part is made idle, thus allowing the gate to be opened and closed manually.
- If the power cord is damaged, it must be replaced by the manufacturer or their technical assistance department or other such qualified person to avoid any risk

### SCRAPPING

Materials must be disposed of in accordance with the regulations in force. There are no particular hazards or risks involved in scrapping the automated system. For the purpose of recycling, it is best to separate dismantled parts into like materials (electrical parts - copper - aluminium - plastic - etc.).

### DISMANTLING

If the automated system is being dismantled in order to be reassembled at another site, you are required to:

- Cut off the power and disconnect the whole electrical system.
- Remove the actuator from the base it is mounted on.
- Remove all the installation's components.
- See to the replacement of any components that cannot be removed or happen to be damaged.

**Anything that is not explicitly provided for in the installation manual is not allowed. The operator's proper operation can only be guaranteed if the information given is complied with. The Firm shall not be answerable for damage caused by failure to comply with the instructions featured herein.**

**While we will not alter the product's essential features, the Firm reserves the right, at any time, to make those changes deemed opportune to improve the product from a technical, design or commercial point of view, and will not be required to update this publication accordingly.**



## 2) GENERAL OUTLINE

The **HIDE SW** control panel is supplied by the manufacturer with standard setting. Any alteration must be set by means of the incorporated display programmer or by means of universal palmtop programmer. The Control unit completely supports the EELINK protocol.

Its main characteristics are:

- Control of two HIDE SW motors
- Electronic torque control with obstacle detection
- Encoder control inputs
- Separate inputs for safety devices
- Incorporated rolling-code radio receiver with transmitter cloning

The board is provided with a terminal board which can be pulled out for easier maintenance or replacement. The board is supplied with a series of pre-wired jumpers to facilitate the installer's work.

**The jumpers relate to the following terminals: 15-17,15-18, 15-27. If the above-mentioned terminals are in use, remove their respective jumpers.**

**WARNING: the motor comes in the CLOSED position.**

**DO NOT ALTER THE POSITION OF THE MOTOR UNTIL INSTALLATION HAS BEEN COMPLETED.**

**Install the motor with the leaf closed, then remove the seal.**

## CHECK

The **HIDE SW** panel carries out a control (check) on the starting relays and safety devices (photocells) before carrying out each opening and closing cycle.

In case of malfunction, check the devices connected for regular operation and check the wiring.

## 3) TECHNICAL DATA

MOTOR	
Power supply	230V~ ±10% 50Hz*
Mains/low voltage insulation	> 2MΩ 500V ---
Power input	40W
Max. torque	345Nm
Speed	7.5°/s
Protection rating	IP 45
Max. leaf length	2m
Max. leaf weight	150 Kg
Leaf surface area	3 sq m / 5 sq m
Operator weight	8kg (≈80N)
Use	residential
Max. opening angle	110°
Working temperature	-20 / +60°C
Wind resistance	class 2 / class 1
CONTROL UNIT	
Thermal protection	Software
Dielectric strength	mains/low voltage 3750V~ per 1 minute
Motor output current	7.5A+7.5A max
Motor relay commutation current	10A
Maximum motor power	200W + 200W (24V ---)
Supply to accessories	24V~ (180mA max absorption) 24V~safe (180mA max absorption)
Gate-open warning light	Contacto N.O. (24V~/1A max)
Blinker	24V~ 25W max
Dimensions	see Fig. C
Fuses	see Fig. E
N° of combinations	4 billion
Max. n° of remotes that can be memorized	63

(\* other voltages available on request)

## WARNING:

- the actuator has been designed to be integrated into the gate's structure.
- do not make holes in the structure anywhere around the space housing the actuator as this could compromise the machine's characteristics.

Usable transmitter versions:

All ROLLING CODE transmitters compatible with



## 4) TUBE ARRANGEMENT Fig. A

## 5) ASSEMBLING THE MOTOR FIG.B

### WARNING:

- line the seal up with the leaf in the closed position (Fig.B Ref. 1)
- Remove the seal (Fig.B Ref. 2)
- Power the motor only once it has been coupled with the leaf and hinges.

## 6) CONNECTION OF 1 PAIR OF PHOTOCELLS AND 1 PAIR OF SAFETY EDGES, UNTESTED Fig. F

## 7) TERMINAL BOARD CONNECTIONS Fig. E

**WARNING** – During the wiring and installation operations, refer to the current standards as well as principles of good technical practice.

Wires powered at different voltages must be physically separated, or suitably insulated with at least 1 mm extra insulation. The wires must be clamped by an extra fastener near the terminals, for example by bands.

All the connection cables must be kept at an adequate distance from the dissipator.

TERMINAL	DESCRIPTION
L-N	Single-phase mains power supply 230V~ ±10%
3-4-5	Connection to motor 1: 3 motor 1 cable 1 4 motor 1 cable 2 5 motor 1 cable 3
6-7-8	Connection to motor 2: 6 motor 2 cable 2 7 motor 2 cable 1 8 motor 2 cable 3
9-10	Connection to blinker (24V~ 25W max)
11-12	Output 24V~ 180mA max - supply to photocells or other devices. 11 motore 1-2 cable 5 12 motore 1-2 cable 6
13-14	Output 24V~V safe 180mA max - supply to photocell transmitters with checking function (Fig. J).
15-16	START pushbutton (N.O.).
15-17	STOP pushbutton (N.C.). If not used, leave the bridge 15-17 connected.
15-18	PHOTOCELL input (N.C.). If not used, leave the bridge 15-18 connected.
19	FAULT input (N.O.). Input for photocells provided with checking N.O. contact (Fig. J).
15-20	PEDESTRIAN pushbutton input (N.O.). Activation is carried out by motor 2; if the opening cycle has started (not from pedestrian function), the pedestrian command has no effect.
21-22	Output for gate-open warning light output (N.O. contact (24V~/1A max)) or alternatively 2nd radio channel (Fig. E rif. 1).
23	Not used
24	Limit switch common (Motors 1 and 2 cable 4)
15-25	OPEN button (N.O.).
15-26	CLOSE button (N.O.).
15-27	EDGE INPUT (N.C.) If not used, leave the bridge 15-27 connected.
28	EDGE FAULT (N.O.)

## 8) MEMORIZING REMOTE CONTROLS Fig. G

## 9) LIMIT SWITCH SETTING MENU Fig. H

If the leaf moves in the wrong direction, adjust the "motor reverse" logic accordingly (+ opening / - closing).

**NOTE:** these manoeuvres are carried out in hold-to-run mode at reduced speed and without safety device activation. If the "i Pòt an" logic is set, only the messages relating to motor 2 will be displayed ("òPòt" e "cìPòt").

## 10) AUTOSSET MENU Fig. I

Allows you to automatically set the Motor torque.

**WARNING!!** The autosetting operation is only to be carried out after checking the exact leaf movement (opening/closing) and correct limit switch activation.

You are advised to carry out an autosetting procedure each time you modify the slow-down speed or space.

**WARNING!** During the autoset phase, the obstacle detection function is not active, therefore the installer must control the automation movement and prevent persons and things from approaching or standing within the automation working range.

In the case where buffer batteries are used, autosetting must be carried out with the control panel supplied by mains power voltage.

**WARNING:** The torque values fixed by means of the autoset procedure refer to the slow-down speed fixed during the same procedure. If the slow-down speed or space is modified, a new autosetting manoeuvre must be carried out.

**WARNING:** Check that the impact force value measured at the points established by the EN 12445 standard is lower than that specified in the EN 12453 standard.

**WARNING:** Incorrect sensitivity setting can cause injuries to persons or animals, or damage to things.

**11) SAFETY DEVICES**

**Note: only use receiving safety devices with free changeover contact.**  
**11.1) TESTED DEVICES Fig. J**

**12) CLOSING LIMIT SWITCH PRESSURE Fig. K**


**13) CONNECTION WITH EXPANSION BOARDS AND UNIVERSAL HANDHELD PROGRAMMER Fig. L**  
 Refer to specific manual.

**ACCES TO MENU: Fig. 1**

**PARAMETERS MENU (PR-R)**  
 (TABLE "A" PARAMETERS)

**LOGIC MENU (LOGIC)**  
 (TABLE "B" LOGIC)

**RADIO MENU (RADIO)**

Logic	Description
Add Start	<b>Add Start Key</b> associates the desired key with the Start command
Add 2ch	<b>Add 2ch Key</b> associates the desired key with the 2nd radio channel command
rERd	<b>Read</b> Checks a key of a receiver and, if memorized, returns the number of the receiver in the memory location (from 01 to 63) and number of the key (T1-T2-T3 or T4).
ErASE 64	<b>Erase List</b>  <b>WARNING!</b> Erases all memorized remote controls from the receiver's memory.
cod rH	<b>Read receiver code</b> Displays receiver code required for cloning remote controls.
wk	<b>ON</b> = Enables remote programming of cards via a previously memorized W LINK transmitter. It remains enabled for 3 minutes from the time the W LINK remote control is last pressed. <b>OFF</b> =W LINK programming disabled.

- **IMPORTANT NOTE: THE FIRST TRANSMITTER MEMORIZED MUST BE IDENTIFIED BY ATTACHING THE KEY LABEL (MASTER).**

In the event of manual programming, the first transmitter assigns the RECEIVER'S KEY CODE: this code is required to subsequently clone the radio transmitters. The Clonix built-in on-board receiver also has a number of important advanced features:

- Cloning of master transmitter (rolling code or fixed code)
- Cloning to replace transmitters already entered in receiver
- Transmitter database management
- Receiver community management

To use these advanced features, refer to the universal handheld programmer's instructions and to the CLONIX Programming Guide, which come with the universal handheld programmer device.

**LANGUAGE MENU (LANGUAGE)**  
 Used to set the programmer's language on the display.

**DEFAULT MENU (DEFAULT)**  
 Restores the controller's default factory settings.

**AUTOSET MENU (AUTOSET)**  
 See Fig. I and "Autoset Men".

**LIMIT SWITCH SETTING MENU (LIMIT SWITCH SETTING MENU)**  
 See Fig. H and "LIMIT SWITCH SETTING MENU"


**MONITORING**  
 The torque parameter defines the maximum acceptable difference between the instant torque and the expected instant torque, i.e. it indicates sensitivity to the obstruction. The lesser the torque parameter, the greater the sensitivity to the obstruction (Torque 1= maximum sensitivity).

**14) ADJUSTING PROCEDURE**

- Before switching on, check electrical connections.
- Set the following parameters: Automatic Closing Time, Opening and closing delay times, speed and Slow-down Distance.
- Set all the logics.
- Carry out the autoset procedure.

After completing the autoset procedure, the Motor fast time and the Torque can be manually adjusted.

**WARNING! Any incorrect setting can cause injuries to persons and animals or damage to things.**

 **WARNING:check that the impact force value measured at the points established by the EN 12445 standard is lower than that specified in the EN 12453 standard.**

To obtain a better result, it is advisable to carry out the autoset procedure and the fast time setting with the motors at rest (i.e. not overheated by a considerable number of consecutive manoeuvres).

**TABLE "A" - PARAMETERS MENU - (PR-R)**

Logic	min.	max.	Default	Personal	Definition	Description
tCR	0	120	40		<b>Automatic Closing Time</b>	Set the numerical value of the automatic closing time from 0 to 120 seconds.
oPEN dELAY tIME	0,0	10,0	3		<b>Opening delay time</b>	Set the opening delay time for motor 1 relative to motor 2, between 0,0 and 10,0 seconds. Adjust the time lag so that the minimum distance between the leaves, when both are moving, is 50 cm.
cLS dELAY tIME	0,0	60,0	3		<b>Closing delay time</b>	Set the closing delay time for motor 2 relative to motor 1, between 0,0 and 60,0 seconds. Adjust the time lag so that the minimum distance between the leaves, when both are moving, is 50 cm.
mot 1 torque	1	99	50		<b>Motor 1 torque</b>	Set the numerical value of the motor 1 torque between 1% and 99%. This parameter denotes sensitivity to the obstacle (couple=1 maximum sensitivity).
mot 2 torque	1	99	50		<b>Motor 2 torque</b>	Set the numerical value of the motor 1 torque between 1% and 99%. This parameter denotes sensitivity to the obstacle (couple=1 maximum sensitivity).
Slow SPEED	15	50	15		<b>Slow-down speed</b>	Sets the slow-down speed percentage between 15% and 50% of normal speed.
oP SPEED	50	99	99		<b>Speed during opening</b>	Sets the running speed that the motor must reach during opening, as a percentage of the maximum speed the actuator can reach. If this parameter is edited, the autoset opening and closing cycle will need to be performed again.
cL SPEED	50	99	99		<b>Speed during closing</b>	Sets the running speed that the motor must reach during closing, as a percentage of the maximum speed the actuator can reach. If this parameter is edited, the autoset opening and closing cycle will need to be performed again.
dISt. Slowd	5	50	5		<b>Slow-down space</b>	Set the slow-down percentage between 5% and 59% with respect to the complete manoeuvre.
AP. PR-2.	10	99	40		<b>Pedestrian opening</b>	Set the partial opening percentage for motor 2.

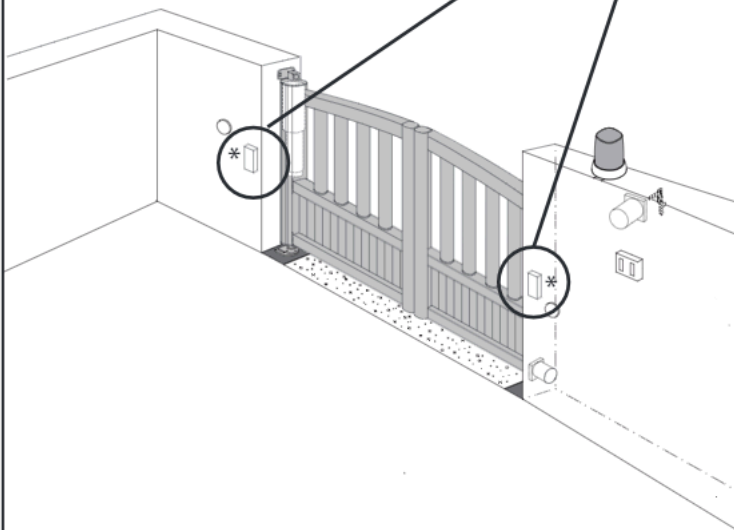
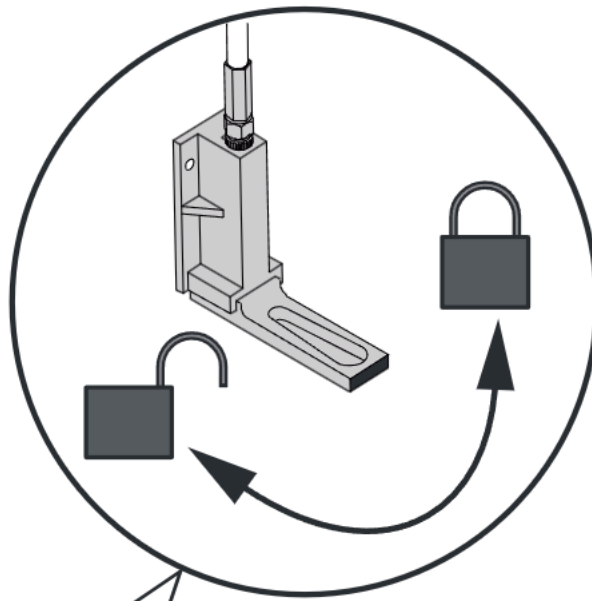
# INSTALLATION MANUAL

TABLE "B" - LOGIC MENU - (Logic)

Logic	Default	Definition	Cross out setting used	Description																	
tCR	OFF	Automatic Closing Time	ON	Activates automatic closing																	
			OFF	Excludes automatic closing																	
iBL oPEn	OFF	Opening Impulse lock	ON	The Start impulse has no effect during the opening phase.																	
			OFF	The Start impulse becomes effective during the opening phase.																	
iBL tCR	OFF	Impulse lock TCA	ON	The Start impulse has no effect during the TCA dwell period.																	
			OFF	The Start impulse becomes effective during the TCA dwell period.																	
3 STEP	OFF	3-step logic	ON	Enables 3-step logic.																	
			OFF	Disables 3-step logic activating the 4-step logic.																	
A start impulse has the following effects:																					
<table border="1" style="margin-left: auto; margin-right: auto;"> <thead> <tr> <th></th> <th>3 steps</th> <th>4 steps</th> </tr> </thead> <tbody> <tr> <td>closed</td> <td rowspan="2">opens</td> <td>opens</td> </tr> <tr> <td>on closing</td> <td>stop</td> </tr> <tr> <td>open</td> <td>closes</td> <td>closes</td> </tr> <tr> <td>on opening</td> <td>stop + TCA</td> <td>stop + TCA</td> </tr> <tr> <td>after stop</td> <td>opens</td> <td>opens</td> </tr> </tbody> </table>						3 steps	4 steps	closed	opens	opens	on closing	stop	open	closes	closes	on opening	stop + TCA	stop + TCA	after stop	opens	opens
	3 steps	4 steps																			
closed	opens	opens																			
on closing		stop																			
open	closes	closes																			
on opening	stop + TCA	stop + TCA																			
after stop	opens	opens																			
PRE-ALARm	OFF	Pre alarm	ON	The blinker comes on about 3 seconds before the motor starts.																	
			OFF	The blinker comes on at the same time as the motor starts.																	
PhotoC. oPEn	OFF	Photocells on opening	ON	In case of obscuring, this excludes photocell operation on opening. During the closing phase, it immediately reverses the motion.																	
			OFF	In case of obscuring, the photocells are active both on opening and on closing. When a photocell is obscured on closing, it reverses the motion only after the photocell is disengaged.																	
FRSt cLS	OFF	Rapid closing	ON	Closes 3s after the photocells are cleared before waiting for the set TCA to elapse.																	
			OFF	Command not entered.																	
tEST Phot	OFF	Photocell test	ON	Activates photocell check (Fig. J)																	
			OFF	Deactivates photocell check																	
tEST bRr	OFF	Electric edge test	ON	Activates electric edge check (Fig. J)																	
			OFF	Deactivates electric edge check																	
FHEd code	OFF	Fixed code	ON	The receiver is configured for operation in fixed-code mode, see paragraph on "Radio Transmitter Cloning".																	
			OFF	The receiver is configured for operation in rolling-code mode, see paragraph on "Radio Transmitter Cloning".																	
radio Prog	ON	Radio transmitter programming	ON	This enables transmitter storage via radio: 1 – First press the hidden key and then the normal key (T1, T2, T3 or T4) of a transmitter already memorised in standard mode by means of the radio menu. 2 – Within 10s press the hidden key and the normal key (T1, T2, T3 or T4) of a transmitter to be memorised. The receiver exits the programming mode after 10s, other new transmitters can be entered before the end of this time. This mode does not require access to the control panel. <b>IMPORTANT: Enables the automatic addition of new transmitters, clones and replays.</b>																	
			OFF	This disables transmitter storage via radio. The transmitters can only be memorised using the appropriate Radio menu. <b>IMPORTANT: Disables the automatic addition of new transmitters, clones and replays..</b>																	
i Mot. on	OFF	1 Active Motor	ON	Only motor 2 activated (1 leaf).																	
			OFF	Both motors are activated (2 leaves).																	
SCR-2ch	OFF	Gate-open or 2nd radio channel warning light	ON	The output between terminals 21 and 22 is configured as Gate-open warning light, in this case the 2nd radio channel controls pedestrian opening.																	
			OFF	The output between terminals 21 and 22 is configured as 2nd radio channel.																	
chAnGE Mot.	OFF	Reversing motion	ON	Opens in the other direction depending on how motors are installed. (Fig. M)																	
			OFF																		
PRESS. Suc (special dip 1*)	ON	Closing limit switch pressure	ON	To be used when a closing backstop is present. This function activates leaf pressure on the backstop, without this being considered as an obstacle by the ampere-stop sensor. Therefore the rod continues its stroke for another 2s, after intercepting the closing limit switch or as far as the backstop. This way, by slightly anticipating closing limit switch activation, the leaves will come to a perfect halt against the end stop plates (Fig. K Rif. A).																	
			OFF	Movement is exclusively stopped by closing limit switch activation, in this case you must proceed to a precise setting of closing limit switch activation (Fig. K Rif. B).																	

\*Refer for universal handheld programmer.

FIG.2



\* Non in dotazione  
Not supplied  
Ne sont pas fournis  
Nicht im lieferumfang  
No asignadas en el equipamiento base  
Niet meegeleverd

## USER WARNINGS (GB)

**WARNING! Important safety instructions. Carefully read and comply with the Warnings and Instructions that come with the product as improper use can cause injury to people and animals and damage to property. Keep the instructions for future reference and hand them on to any new users.**

**This product is meant to be used only for the purpose for which it was explicitly installed. Any other use constitutes improper use and, consequently, is hazardous. The manufacturer cannot be held liable for any damage as a result of improper, incorrect or unreasonable use.**

### GENERAL SAFETY

Thank you for choosing this product. The Firm is confident that its performance will meet your operating needs.

This product meets recognized technical standards and complies with safety provisions when installed correctly by qualified, expert personnel (professional installer).

If installed and used correctly, the automated system will meet operating safety standards. Nonetheless, it is advisable to observe certain rules of behaviour so that accidental problems can be avoided:

- Keep adults, children and property out of range of the automated system, especially while it is moving.
- Do not allow children to play or stand within range of the automated system.
- This automated system is not meant for use by children or by people with impaired mental, physical or sensory capacities, or people who do not have suitable knowledge.
- Do not work near hinges or moving mechanical parts.
- Do not hinder the leaf's movement and do not attempt to open the door manually unless the actuator has been released with the relevant release knob.
- Keep out of range of the motorized door or gate while they are moving.
- Keep remote controls or other control devices out of reach of children in order to avoid the automated system being operated inadvertently.
- The manual release's activation could result in uncontrolled door movements if there are mechanical faults or loss of balance.
- When using roller shutter openers: keep an eye on the roller shutter while it is moving and keep people away until it has closed completely. Exercise care when activating the release, if such a device is fitted, as an open shutter could drop quickly in the event of wear or breakage.
- The breakage or wear of any mechanical parts of the door (operated part), such as cables, springs, supports, hinges, guides... , may generate a hazard. Have the system checked by qualified, expert personnel (professional installer) at regular intervals according to the instructions issued by the installer or manufacturer of the door.
- When cleaning the outside, always cut off mains power.
- Keep the photocells' optics and illuminating indicator devices clean. Check that no branches or shrubs interfere with the safety devices.
- Do not use the automated system if it is in need of repair. In the event the automated system breaks down or malfunctions, cut off mains power to the system; do not attempt to repair or perform any other work to rectify the fault yourself and instead call in qualified, expert personnel (professional installer) to perform the necessary repairs or maintenance. To allow access, activate the emergency release (where fitted).
- If any part of the automated system requires direct work of any kind that is not contemplated herein, employ the services of qualified, expert personnel (professional installer).
- At least once a year, have the automated system, and especially all safety devices, checked by qualified, expert personnel (professional installer) to make sure that it is undamaged and working properly.
- A record must be made of any installation, maintenance and repair work and the relevant documentation kept and made available to the user on request.
- Failure to comply with the above may result in hazardous situations.

**Anything that is not explicitly provided for in the user guide is not allowed. The operator's proper operation can only be guaranteed if the instructions given herein are complied with. The Firm shall not be answerable for damage caused by failure to comply with the instructions featured herein.**

**While we will not alter the product's essential features, the Firm reserves the right, at any time, to make those changes deemed opportune to improve the product from a technical, design or commercial point of view, and will not be required to update this publication accordingly.**

**BFT S.P.A.**

Via Lago di Vico 44, 36015 Schio (Vi) - **Italy**  
tel. +39 0445 69 65 11 / fax. +39 0445 69 65 22  
www.bft.it / e-mail: info@bft.it

**AUTOMATISMES BFT FRANCE**

13 Bd. E. Michelet, 69008 Lyon - **France**  
tel. +33 (0)4 78 76 09 88 - fax +33 (0)4 78 76 92 23  
e-mail: contacts@automatismes-bft-france.fr

**BFT Torantriebssysteme GmbH**

Faber-Castell-Straße 29  
D - 90522 Oberasbach - **Germany**  
tel. +49 (0)911 766 00 90 - fax +49 (0)911 766 00 99  
e-mail: service@bft-torantriebe.de

**BFT Automation UK Ltd**

Unit 8E, Newby Road  
Industrial Estate Hazel Grove, Stockport,  
Cheshire, SK7 5DA - **UK**  
tel. +44 (0) 161 4560456 - fax +44 (0) 161 4569090  
e-mail: info@bftautomation.co.uk

**BFT BENELUX SA**

Parc Industriel 1, Rue du commerce 12  
1400 Nivelles - **Belgium**  
tel. +32 (0)67 55 02 00 - fax +32 (0)67 55 02 01  
e-mail: info@bftbenelux.be

**BFT-ADRIA d.o.o.**

Obrovac 39  
51218 Dražice (Rijeka)  
Hrvatska - **Croatia**  
tel. +385 (0)51 502 640 - fax +385 (0)51 502 644  
e-mail: info@bft.hr

**BFT Polska Sp. z o.o.**

ul. Lipowa 21  
05-091 Ząbki, **Polska**  
tel. +48 22 814 12 22 - fax. +48 22 781 60 22  
e-mail: biuro@bft.com.pl

**BFT USA BFT U.S., Inc.**

6100 Broken Sound Pkwy. N.W., Suite 14  
Boca Raton, FL 33487 - **U.S.A.**  
T: +1 561.995.8155 - F: +1 561.995.8160  
TOLL FREE 1.877.995.8155 - info.bft@bft-usa.com

**BFT GROUP ITALIBERICA DE AUTOMATISMOS S.L.**

**Pol. Palou Nord**,  
Sector F - C/Cami - Can Basa nº 6-8 08401 Granollers -  
**(Barcelona) - Spain**  
tel. +34 938 61 48 28 - fax +34 938 70 03 94  
e-mail: bftbcn@bftautomatismos.com

**Pl. Comendador - C/**  
informática, Nave 22 - 19200 Azuqueca de Henares  
**(Guadalajara) - Spain**  
tel. +34 949 26 32 00 - fax +34 949 26 24 51  
e-mail: administracion@bftautomatismos.com

**BFT SA-COMERCIO DE AUTOMATISMOS E MATERIAL DE SEGURANCA**

Urbanizaçao da Pedrulha Lote 9 - Apartado 8123,  
3020-305 COIMBRA - **PORTUGAL**  
tel. +351 239 082 790 - fax +351 239 082 799  
e-mail: geral@bftportugal.com

